

CLAMPB®

STRONG-ARM



48" FARM JACK

MODEL NO: CFJ48B

PART NO: 3400305

USER INSTRUCTIONS

UK
CA | CE

ORIGINAL INSTRUCTIONS

GC07/23 Rev 1

INTRODUCTION

Thank you for purchasing this CLARKE Farm Jack.

Before attempting to use this product, please read these instructions carefully. In doing so you will ensure your safety and you can look forward to your purchase giving you long and satisfactory service.

This extremely versatile device is designed to lift, pull or push. Its applications are many and varied, from lifting equipment and machinery, to removing tree stumps or fence posts etc. pulling posts and poles and it can equally serve as a hoist or winch.

The lever-ratchet operation with reversible ratchet mechanism enables the jack to be used for both lifting or lowering.

SPECIFICATIONS

Product size	1220 x 250 x 140 mm
Net weight	12.6kg
No of strokes from min to max height	43
Distance raised per stroke	22mm (ave)
Maximum Saddle Height from floor	1020mm
Minimum Saddle Height from floor	125mm
Maximum Support Load	2000kg
Minimum Load (for lowering)	50kg
Maximum pulling load	2000kg
Maximum clamp load	340kg
Maximum Lift Load	400kg

GUARANTEE

This product is guaranteed against faulty manufacture for a period of 12 months from the date of purchase. Please keep your receipt which will be required as proof of purchase.

This guarantee is invalid if the product is found to have been abused or tampered with in any way, or not used for its intended purpose. Faulty goods should be returned to their place of purchase, no product can be returned to us without prior permission.

This guarantee does not effect your statutory rights

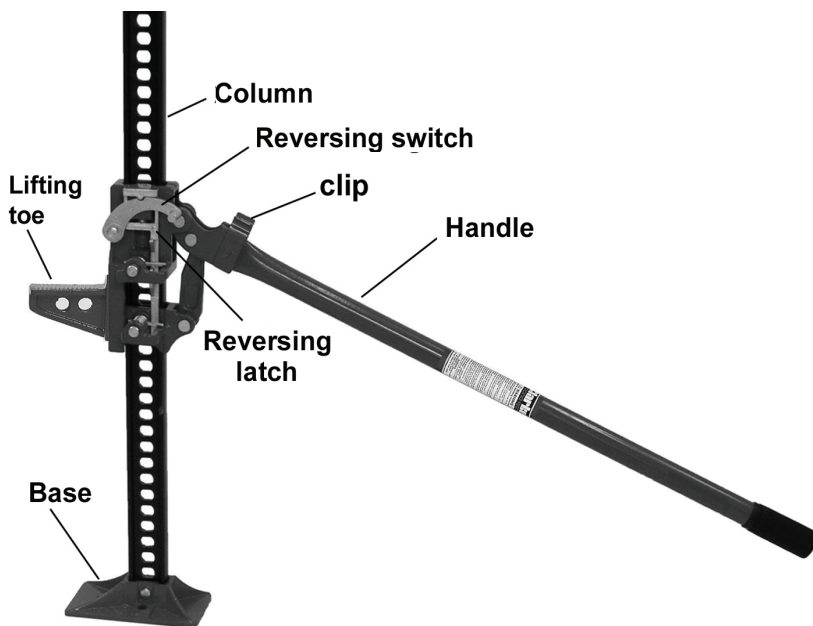
SAFETY PRECAUTIONS

1. ALWAYS inspect the jack before use. Inspect for distortion of the column and locking pins and the security of all parts. Check all parts are in good condition and operating smoothly and that no cracks or distortion is apparent. If in doubt DO NOT use.
2. If any part of jack fails to work properly, stop use and have it repaired or replaced. NEVER attempt to repair jack while it is under load.
3. DO NOT use the jack for any purpose other than for which it is designed.
4. Ensure the jack is on a firm solid base and that there is no likelihood of it slipping or sinking when under load.
5. Ensure the load is taken by the FULL lifting nose and that the point of lift on the load is of sufficient strength to support the full load adequately.
6. ALWAYS ensure that the load is stabilised or supported in such a way that it will not shift during lowering or lifting. Always lock and/or stabilise the load to be lifted. The jack will not act as a load stabiliser.
7. ALWAYS use supports to stabilise the load once lifted. DO NOT rely upon the jack to hold the load in position.
8. NEVER push a load off the jack.
9. All persons shall be clear of load being raised, lowered or pulled. NEVER work under a raised load without using additional supports such as axle stands. As an extra precaution insert a M12 steel bolt (not included) through the hole in the beam immediately below the lifting mechanism to act as a safety pin. Ensure there are no persons or obstructions beneath a load before lowering.
10. Ensure there is a working gap between a vehicle being lifted and any adjacent wall or object.
11. Ensure the vehicle handbrake is securely on and/or an automatic vehicle transmission is in the park position before lifting.
12. Take care not to trap fingers within the moving parts.
13. ALWAYS keep a firm grip on the handle and support beam.
14. When using the jack to pull or drag a load, be aware that the load may suddenly 'give', eg. pulling a tree stump etc. Take appropriate precautions.
15. **NEVER exceed the rated load of the jack as given in the specifications.**
WARNING/If you exceed rated capacity, the shear pin will break and the handle will drop.

16. DO NOT use additional bars/tubes in conjunction with the handle to provide extra leverage. Use hand power only.
17. NEVER carry the jack by the handle as the column may drop and cause harm to persons or property.
18. ALWAYS ensure that the lifting head climbing pin is located and locked in a hole in the steel beam before releasing the pumping handle otherwise the lifting head will automatically lower, causing the handle to move up and down rapidly presenting a risk of serious injury.
19. The jack must have a minimum load of 50kg (110lbs) to activate the lowering step by step otherwise lifting head will drop.

OPERATING INSTRUCTIONS

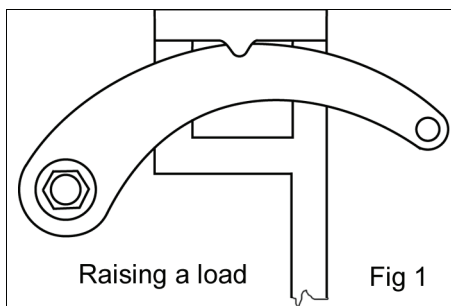
OVERVIEW



RAISING A LOAD

WARNING: BEFORE LIFTING ENSURE SAFETY PRECAUTIONS ARE READ AND UNDERSTOOD.

1. Before lifting assess the correct jacking point for the load. If the load is a vehicle, consult the vehicle manufacturer's handbook for the correct lifting point.
2. Pull the direction latch upwards (fig.1) until it clicks into place. Ensure it is locked in position with the indent of the latch firmly engaged with the notch on the reversing switch.



Ensure that the foot of the jack is placed on a stable, strong base capable of supporting the jack and the load.

- The foot of the jack should be immediately below the chosen lifting point so that the lifting action is vertical. DO NOT attempt a lift with the jack at an angle.
3. Raise the lifting toe to the jacking point on the load. The lifting head can be raised manually into position.
 - You will hear the mechanism clicking as you do this.
 4. Place the lifting toe under the object to be lifted. You can pull the lifting head up to the point of lift (or strain) without pumping the handle.
 5. Hold the column (2) steady. Unclip the handle (4) by pulling it downwards and pump it up and down with a full stroke to bring the lifting toe into contact with the jacking point. Check that the toe is fully under the load and lifting at the right point.
 6. When you are sure that the jack and load are stable commence lifting by pulling the handle down a full stroke. As the handle is pulled down you will hear the climbing pin click into place as it locates in the next hole in the column. At this point, relax the handle allowing the pin to take the load. Raise the handle to the top of its stroke to take a fresh purchase and pump the handle down again. Pressure will be felt on the downward stroke. ALWAYS keep a firm grip on the handle.
 - No extension of any sort should be applied to the handle to gain extra leverage.
 7. When the desired lifting height has been achieved, raise the handle towards the column and clip it in the vertical position.
 8. Place a M12 steel bolt (not supplied) through the hole immediately below the lifting mechanism to act as a safety pin.
 9. Put the handle in upright position before tripping the reversing latch to lower the load.

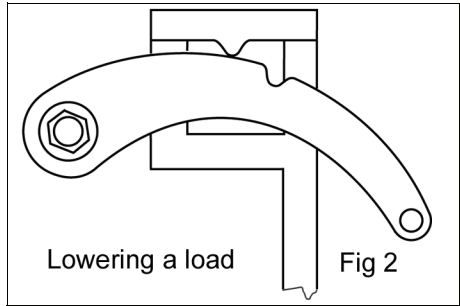
WARNING: THE JACK IS FOR LIFTING OR PULLING AND MUST NOT BE USED TO CONTINUOUSLY SUPPORT A LOAD. PLACE AXLE STANDS OR OTHER APPROPRIATE SUPPORTS BENEATH A VEHICLE/LOAD.

LOWERING A LOAD

WARNING: THE JACK MUST BE LOADED WITH A MINIMUM OF 50KG (110LBS) TO LOWER STEP BY STEP OTHERWISE THE LIFTING TOE WILL DROP RAPIDLY TO THE BOTTOM OF THE COLUMN WHEN THE DIRECTION LATCH IS MOVED TO THE LOWERING POSITION.

1. Jack the load up slightly, remove the safety pin if fitted and any previously placed supports. Place the handle in the fully upright position.

2. Trip the reversing latch so that it is in the down position with the indentation on the latch disengaged from the notch on the reversing switch (see fig.2). Keeping a firm grip on the handle, commence lowering by pumping the handle steadily up and down. When lowering, you will feel resistance on the upward (or backward) stroke of the handle.

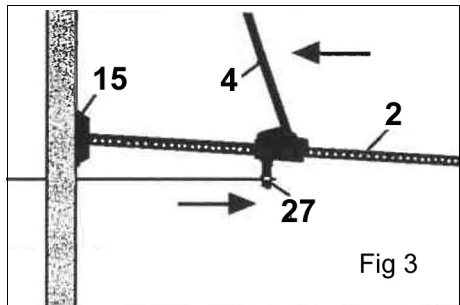


CAUTION: DO NOT RELEASE THE HANDLE UNTIL THE CLIMBING PIN HAS LOCKED INTO PLACE. IF THE CLIMBING PIN IS NOT LOCKED INTO PLACE AND THE HANDLE IS RELEASED, THE LIFTING HEAD WILL AUTOMATICALLY LOWER CAUSING THE HANDLE TO MOVE UP AND DOWN RAPIDLY, PRESENTING A RISK OF SERIOUS INJURY.

PULLING, TENSIONING AND POSITIONING

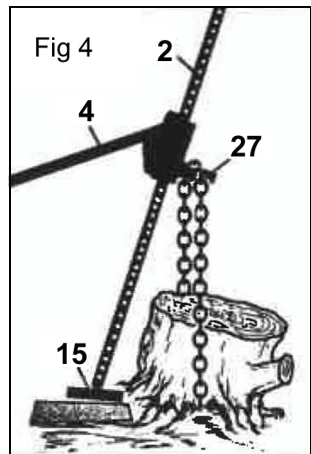
WARNING: DO NOT PLACE AN EXCESSIVE STRAIN ON THE LOAD, EQUIPMENT OR SUPPORTS WHEN USING THE JACK FOR PULLING OR TENSIONING.

The jack may be used for a variety of other purposes such as tensioning fences (See fig.3), pulling out tree stumps (See fig.4) and positioning of heavy items such as machinery. In all cases, such operations should begin with a risk assessment exercise including consideration of the following points.



When the jack is used for pulling or tensioning there will be a tendency for the pulling force to move the column away from the line of pull unless the far end is restrained or fixed using suitable chains, bolts, ropes etc. Any fixing/restraining items used must be sufficiently robust for the pulling force that will be applied to them.

Where other structures are used to stabilise the column the operator must be certain that these structures are sufficiently strong to resist the force applied to them otherwise damage may occur to the structure resulting in a sudden and dangerous loss of tension.



When repositioning heavy items such as machinery, consideration should be given to how the load will move once it is set in motion and sufficient precautions taken to restrain the item from moving too far or in an unpredictable way. Similar caution needs to be exercised when choosing attachment/pushing/pulling points on machinery. These points must be sufficiently strong to resist the forces applied to them.

It is the responsibility of the owner of the equipment to assess the safety requirements for every new usage of the equipment and to take sufficient safety precautions.

MAINTENANCE

Keep the moving parts clean and free from debris especially if used in a dirty environment eg for tree stump removals.

Keep all parts of the jack gently lubricated to prevent any possibility of corrosion If stored for long periods.

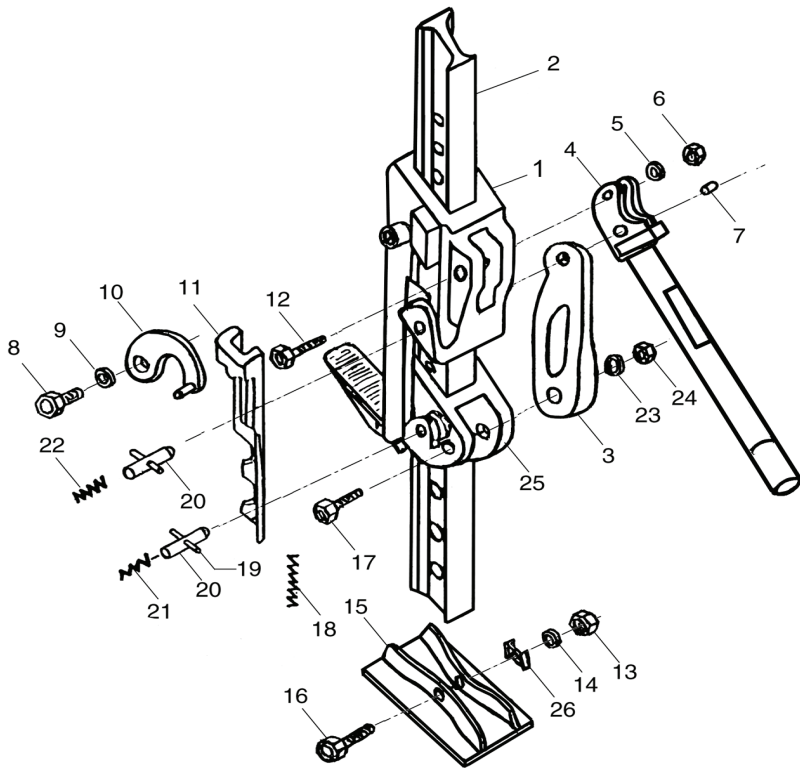
Store in a dry, childproof location where it cannot be damaged by the elements.

ACCESSORIES

The CLARKE Off-Road Farm Jack Base CORFJB1 (Part No 7620060) is available for use with this product.



COMPONENT PARTS



No	Description
1	Large runner
2	Column
3	Connecting link
4	Handle
5	Washer
6	Nut
7	Pin
8	Screw
9	Washer
10	Reversing latch
11	Reversing switch
12	Bolt
13	Nut

No	Description
14	Washer
15	Base
16	Bolt
17	Bolt
18	Spring
19	Pin
20	Locking Pin
21	Spring
22	Spring
23	Washer
24	Nut
25	Small runner
26	Spring locking washer

DECLARATIONS OF CONFORMITY - UK



Hemnall Street, Epping, Essex CM16 4LG

DECLARATION OF CONFORMITY

This is an important document and should be retained.

We hereby declare that this product(s) complies with the following statutory requirement(s):

Supply of Machinery (Safety) Regulations 2008

The following standards have been applied to the product(s):

EN 1494:2000/A1:2008.

The technical documentation required to demonstrate that the product(s) meet(s) the requirement(s) of the aforementioned legislation has been compiled and is available for inspection by the relevant enforcement authorities.

The UKCA mark was first applied in: 2022

Product Description: 48" & 60" Farm Jacks

Model number(s): CFJ48B & CFJ60

Serial / batch Number: N/A

Date of Issue: 21/12/2022

Signed:

J.A. Clarke

Director

DECLARATIONS OF CONFORMITY - CE



Clarke[®]
INTERNATIONAL

Fitzwilliam Hall, Fitzwilliam Place, Dublin 2

DECLARATION OF CONFORMITY

This is an important document and should be retained.

We hereby declare that this product(s) complies with the following directive(s):

2006/42/EC Machinery Directive

The following standards have been applied to the product(s):

EN 1494:2000/A1:2008.

The technical documentation required to demonstrate that the product(s) meet(s) the requirement(s) of the aforementioned directive(s) has been compiled and is available for inspection by the relevant enforcement authorities.

The CE mark was first applied in: 2022

Product Description: 48" & 60" Farm Jacks
Model number(s): CFJ48B & CFJ60
Serial / batch Number: N/A
Date of issue: 21/12/2022

Signed:

J.A. Clarke
Director

A SELECTION FROM THE VAST RANGE OF

Clarke®

QUALITY PRODUCTS



AIR COMPRESSORS

From DIY to industrial. Plus air tools, spray guns and accessories.

GENERATORS

Prime duty or emergency standby for business, home and leisure.

POWER WASHERS

Hot and cold, electric and engine driven - we have what you need

WELDERS

Mig, Arc, Tig and Spot. From DIY to auto/industrial.

METALWORKING

Drills, grinders and saws for DIY and professional use.

WOODWORKING

Saws, sanders, lathes, mortisers and dust extraction.

HYDRAULICS

Cranes, body repair kits, transmission jacks for all types of workshop use.

WATER PUMPS

Submersible, electric and engine driven for DIY, agriculture and industry.

POWERTOOLS

Angle grinders, cordless drill sets, saws and sanders.

STARTERS/CHARGERS

All sizes for car and commercial use.



**PARTS & SERVICE:
0208 988 7400**

Parts Enquiries
Parts@clarkeinternational.com

Servicing & Technical Enquiries
Service@clarkeinternational.com

SALES: UK 01992 565333 or Export 00 44 (0)1992 565335

Clarke® INTERNATIONAL Hemnall Street, Epping, Essex CM16 4LG
www.clarkeinternational.com